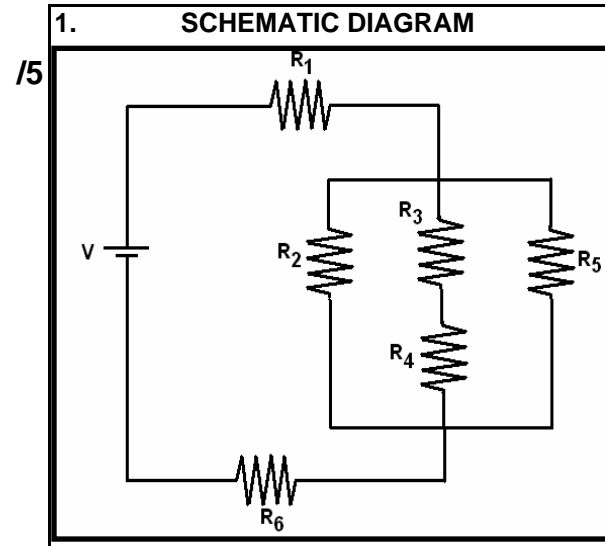


SECTION 1



2. RESISTANCES

/6

Resistor	Resistance
R <sub>1</sub>	22
R <sub>2</sub>	12
R <sub>3</sub>	15
R <sub>4</sub>	33
R <sub>5</sub>	1500
R <sub>6</sub>	100

/1 3. 48 Ω

/2 4. 9.54 Ω

/2 5. 131.5 Ω

6. THEORETICAL QUANTITIES

/12

Resistor	Current	Voltage Drop
R <sub>1</sub>	0.836	18.4
R <sub>2</sub>	0.665	7.98
R <sub>3</sub>	0.166	2.49
R <sub>4</sub>	0.166	5.48
R <sub>5</sub>	0.00532	7.98
R <sub>6</sub>	0.836	83.6

/2 7. 69.9 W

/2 8. 17.4 V

/2 9. 104 V

/2 10. 7.50 Ω



PA SOUTHEAST REGIONAL SCIENCE OLYMPIAD  
CIRCUIT LAB C DIVISION

ANSWER KEY

SECTION 2

- /2 1. 6900  $\Omega$
- /2 2. 3.83 V
- /2 3. 8.17 V
- /2 4. 0.00174 A
- /2 5. 12.0 V
- /1 6. B-C or B-D
- /1 7. C or D
- /1 8. 15
- /4 9. 3.48 V
- /4 10. 7.44 V

SECTION 3

- /2 1. 6 seconds
- /2 2. 3E-6 F or 3.0  $\mu$ F
- /2 3. 1E-6 F or 1.0  $\mu$ F
- /2 4. 1.2E-5 C or 12.0  $\mu$ C
- /2 5. 7.2E-5 J
- /2 6. 6E-6 A or 6.0  $\mu$ A
- /2 7. 0
- /2 8. 12.0 V
- /2 9. 12.0 V
- /2 10. 8.12E-7 A

SECTION 4

- /2 1. 7A right
- /4 2. 26.2 N left
- /4 3. 0.250  $\Omega$
- /2 4. J - 20 V
- /2 5. M - 200 $\mu$
- /2 6. D - 200K
- /2 7. C -  $\Omega \cdot V$
- /2 8. A - 10A
- /2 9. C -  $\Omega \cdot V$

BONUS  
555 Timer